

COMTELCO

Technical Specification

B25247P

2400-2500 MHz

2.4 GHz PANEL ANTENNA

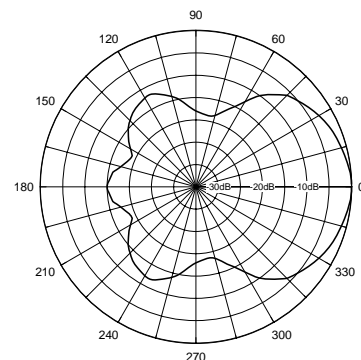
Performance: Directional antenna for the 2400 thru 2500MHz band providing 7.5dBi gain.

Stylish and Durable: These antennas are manufactured using the finest materials available. They provide great performance in a stylish package. All the plastic parts are molded using ABS material.

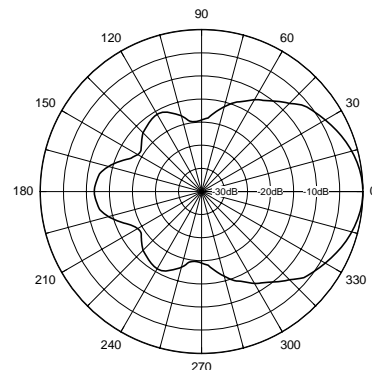
Mounting: Multiple mounting options are available. These include conventional wall type mounting plates as well as special mounts that interface with NMO/TAD type mobile mounts.



Horizontal Pattern



Vertical Pattern



ELECTRICAL SPECIFICATIONS:

FREQUENCY RANGE:	2400-2500MHz
GAIN:	7.5 dBi (5.5 dBd)
FRONT TO BACK:	18dB
VSWR:	<2:1
VERT BEAM WIDTH:	50°
HORIZ BEAM WIDTH:	55°
IMPEDANCE:	50 ohms
POWER RATING:	100 watts

MECHANICAL SPECIFICATIONS:

RADOME:	ABS
COLOR:	Off white
CABLE:	8" Teflon low loss
THICKNESS:	1 1/2"
MOUNTING:	Wall Plate
DIAMETER:	4 1/4"
FLAT PLATE AREA:	.1406 ft ²
WIND RATING:	125 MPH
WIND LOAD:	9.5 lbs.