

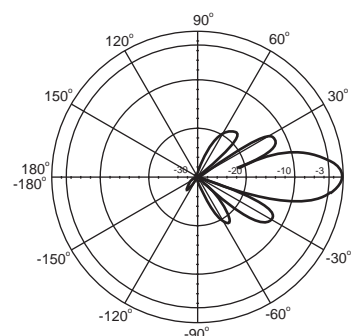
High Gain Directional Panel Antenna for 2.4 ISM Band

Version 1.1

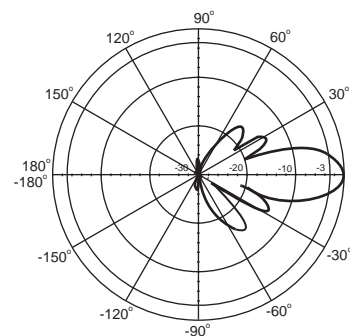
PCW24-01518-BFL

Electrical Specification

Frequency range / MHz	2300- 2500MHz
Gain / dBi	18 dBi
VSWR Max.	1.5
Polarization:	Linear vertical
3dB beamwidth / H-plane	15°
3dB beamwidth / E-plane	15°
Front to back ratio	26 dB
Downtilt:	0°
Power handling:	50 W (CW)
Impedance	50 Ohms
PCW24-01518-AML	SMA male
Connector Cable	RG-58/u ; 15cm



Vertical



Horizontal

Environmental & Mechanical Characteristics

Survival wind speed	180 km/h
Temperature	- 40° C to +80° C
Humidity	100% @ 25° C
Lightning protection	DC ground
Radome color	Gray-White
Radome material	ABS/UV Resistant Fire Retardant
Housing material	Galvanized Iron Fire Retardant
Weight	3.25 kg

Electrical Specification

Frequency range :	2400 - 2500MHz
Gain :	18 dBi
VSWR :	1.5
Impedance :	50 Ω
Polarization :	Linear
3dB beamwidth :	H-plane 15° / E-plane 15°
Power handling :	50 W (cw)
Connector :	SMA male
Cable :	RG-58/U 15cm

Environmental Characteristics

Survival wind speed :	165 km / hr
Temperature :	-40°C to +80 °C
Humidity :	100% @ 25 °C
Fire retardant	
UV resistant	

Mechanical Characteristics

