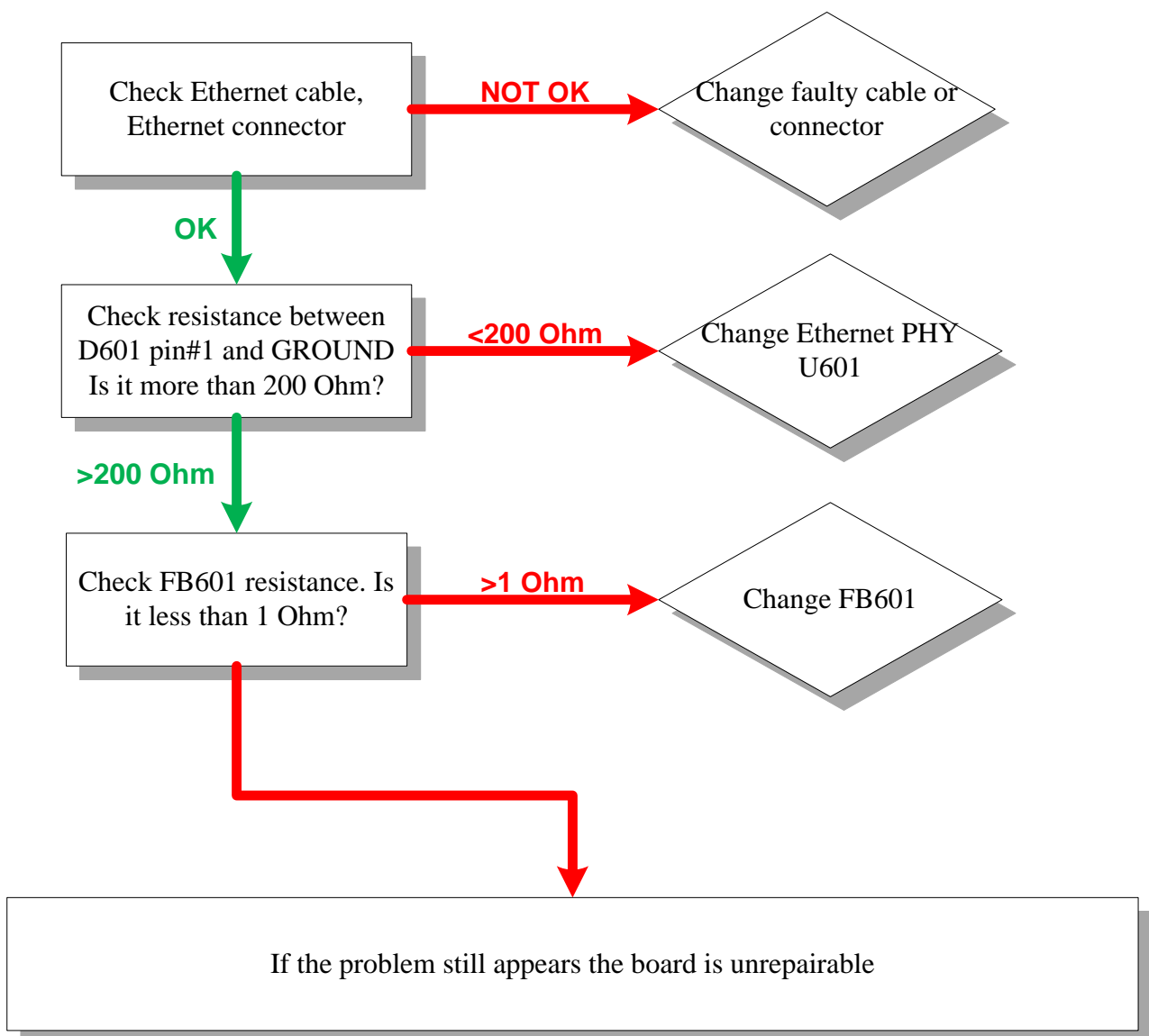


RB411 Trouble shooting

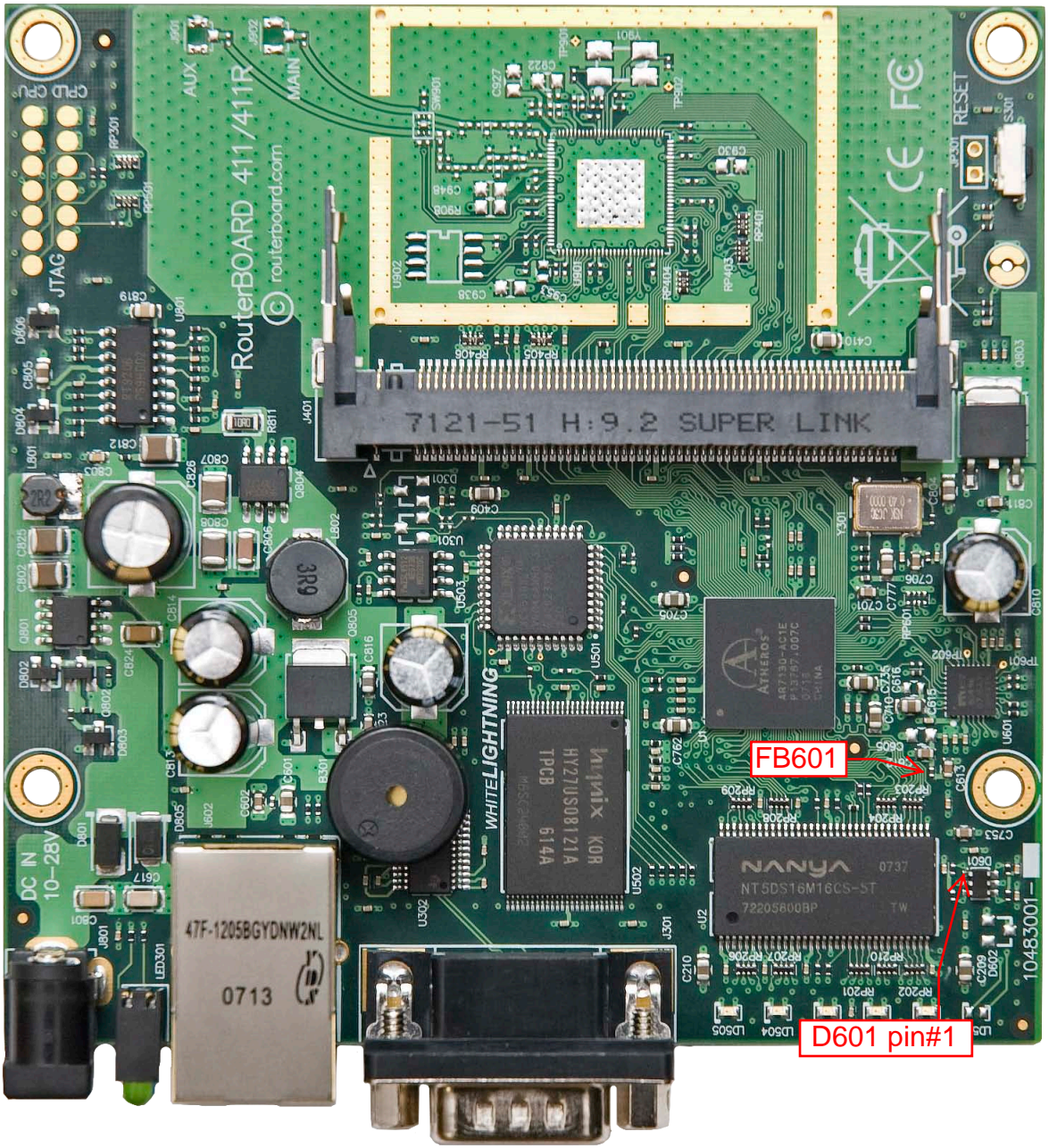
These repair instructions are for **NON WARRANTY** repairs only!

Please make visual inspection for signs of corrosion or mechanical damages before starting.

Ether 1 doesn't work, drops ping packets.



Reference number	Part number	Manufacturer	Description
FB601	BLM15AG121SN1D	MURATA	Ferrite Chip Bead 120 Ohm, 500mA, 0402
U601	KSZ8041NL	Micrel	Ethernet PHY



RouterBOARD 411/411R
© routerboard.com

CE FC

7121-51 H:9.2 SUPER LINK

WHITE LIGHTNING

Hiwinix KOR
HYZTUS08121A
TPCB
6144A
M52C46012

ATHEROS®
AR7130 AG1E
0713 0714007C
CP13A

NANYA
NT5DS16M16CS-ST
7220S800BP
TW

47F-1205BGYDNW2NL
0713

FB601

D601 pin#1

1048.3001