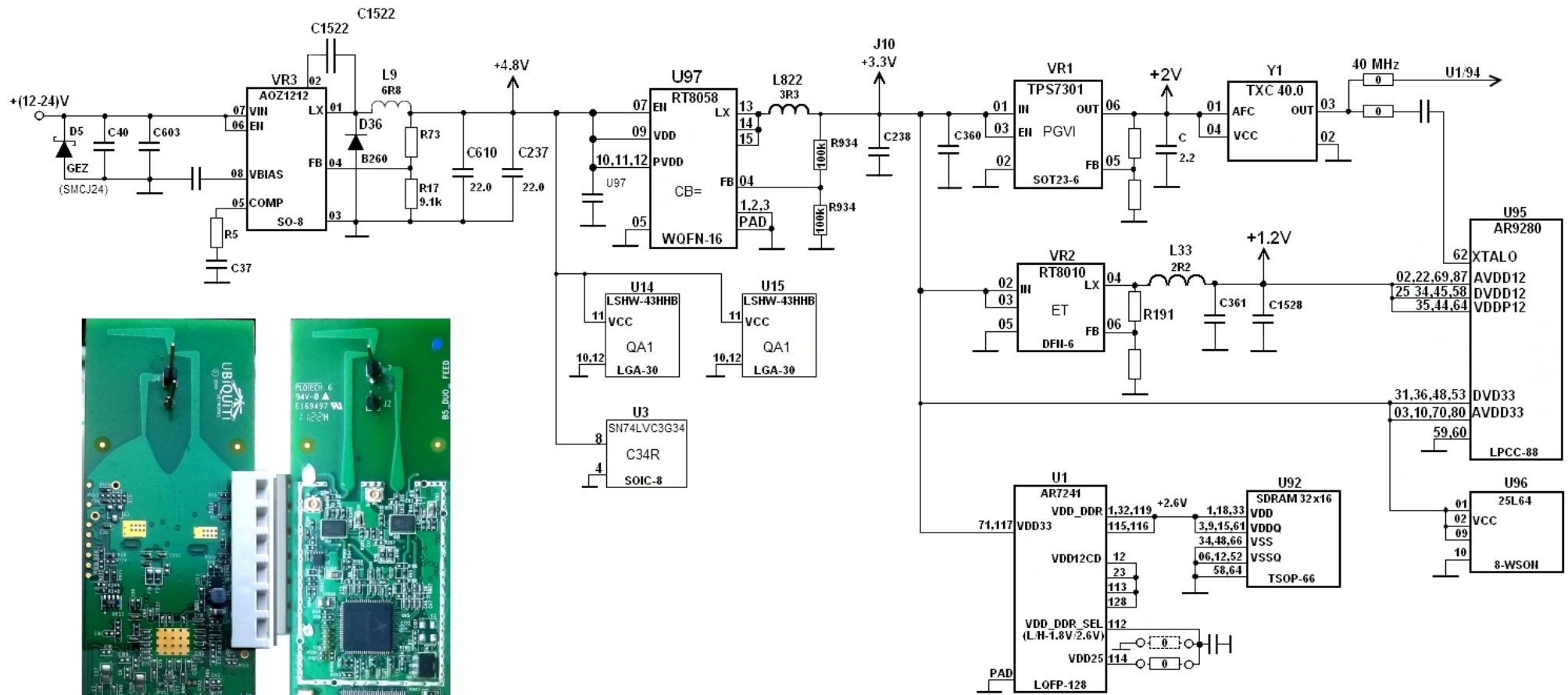


modifications		date	name	description	pages
date	name			Ubiquiti Nanobridge M5 revers	
18.07.2017	kkk				page no. 2



modifications		date	name	description	pages
date	name			Ubiquiti Nanobridge M5 revers	2
17.07.2017	kkk				page no.
				diagram no.	1