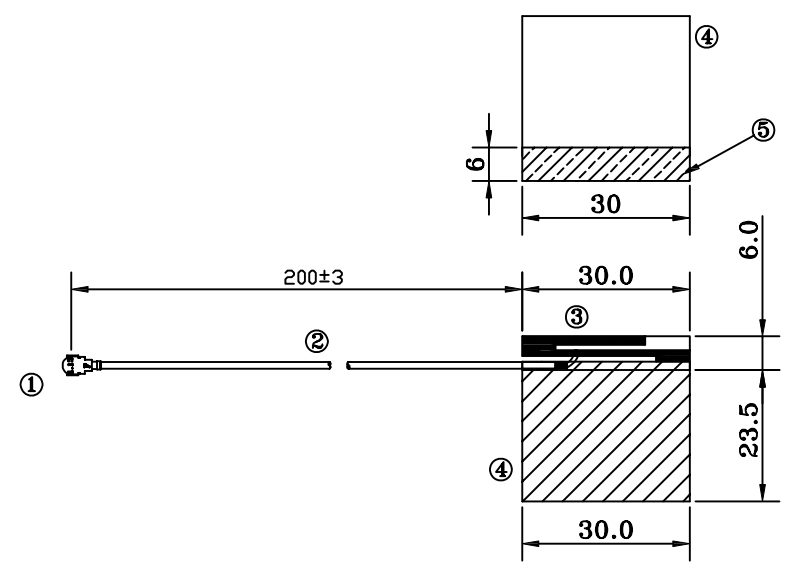


RoHS Compliant

REV	DATE	DESCRIPTION	ECN NO.	NAME
A	09.11.07	NEW RELEASE		James
B	09.12.07	CHANGED		James

GY196 SERIES 2.4G PCB Antenna (Up side)



C&C C&C TECH CO., LTD. PART NO.: GY196CH018-C51

NO.	ITEM	DESCRIPTION	QTY	SORTING NO.	C&C	PAGE	1 OF 1
5.	G0560-040018	G9000 ADHESIVE TAPE , SIZE : 30mm x 6mm	1	TITLE: 2.4G PCB Antenna (Up side)			
4.	GAF-Y196007	AL foil Mylar , Size: 30mm x 25mm	1	DRAWN BY James (WST) DRAWING NO. GY196CH018-C51			
3.	GM0160-01000011-00	FR4 , T:0.8mm , Size:6mm x 30mm	1	CHECKED BY		DRAWING SIZE	A4
2.	GMINI-178B01D11SX	OD:1.13mm Coaxial Cable , FEP Black Jacket	1	APPROVED BY		UNIT	mm
1.	G7169-004101-H	Technova for 1.13mm ,Gold Plated	1				